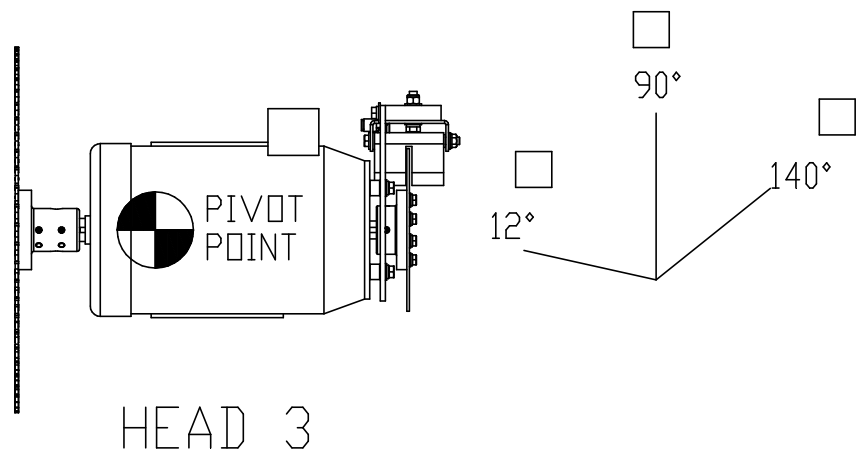
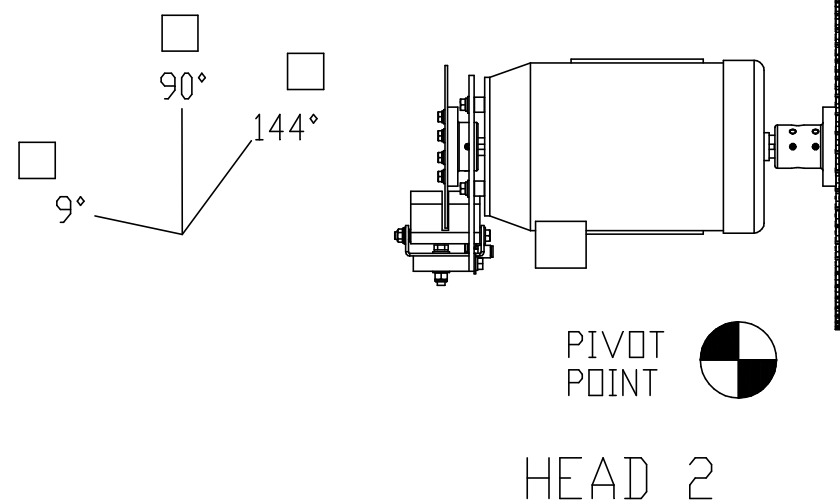
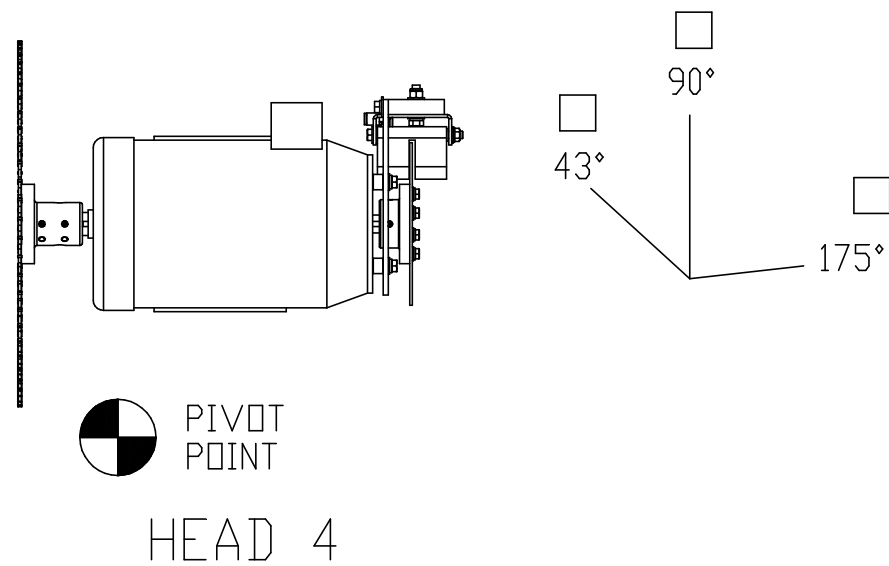
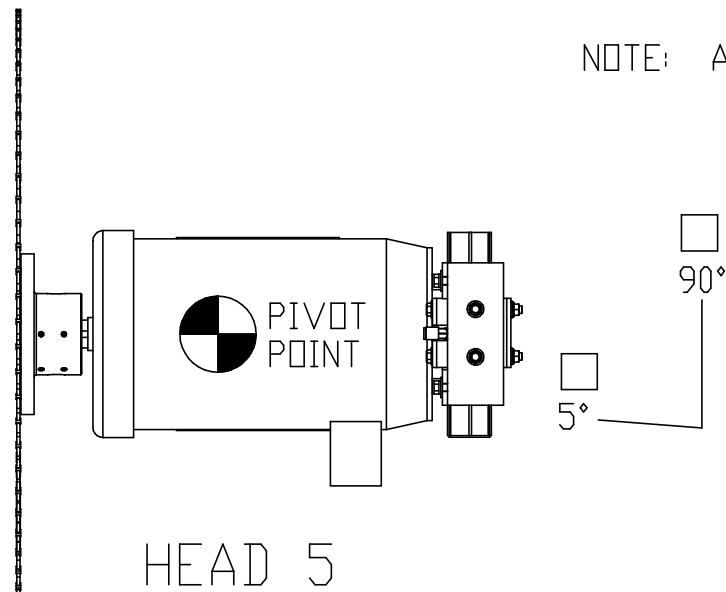
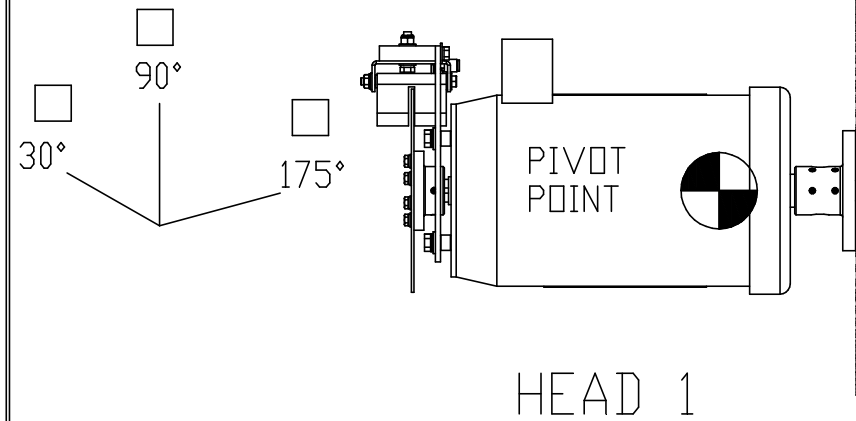


AUTOMILL HP HEAD SOFTWARE TRAVEL LIMITS (ANGLE)

NOTE: ANGLE MINIMUMS ARE BASED ON SCARF LENGTH CAPACITIES. SEE EXAMPLE CUTS FOR MINIMUMS ON COMBINATION CUTS.



* These minimums are based on center line double-cuts.

		2820 N. GREAT SOUTHWEST PKWY. GRAND PRAIRIE, TX 75050 PHONE: 1-972-660-4422	
		PROPRIETARY INFORMATION ANY DISCLOSURE OR REPRODUCTION, IN PART OR IN WHOLE, OF INFORMATION FROM THIS DRAWING IS PROHIBITED WITHOUT WRITTEN CONSENT OF ALPINE.	
AUTOMILL HP HEAD CONFIG, ANGLE			
DRWN BY:	MG	SCALE: 0.083	DATE: 24-MAR-16
CHKD. BY:	DC	SHEET 1 OF 1	DRAWING NUMBER: AMHPHEADS
APVD. BY:	DC		PTC\CRED